

Inductive Proximity Switch Mi250-Ex



- Proximity switch for the use in explosive areas
- Temperature range -15°C ... 230°C (short-time up to 250°C)
- up to 20 m cable length

Mounting of the sensor head:

The proximity switch can be attached to a metallic base with 4 screws at the fastening angle. The metallic base should be in line with the white teflon cover of the initiator. Sensor head and cable can be mounted inside the Ex zone, the electronic module should be mounted outside.

Minimum lateral distances:

Sensor to sensor:
NJ 20: 30 mm; NJ 25: 50 mm

Sensor to metal:
NJ 20: 30 mm; NJ 25: 50 mm

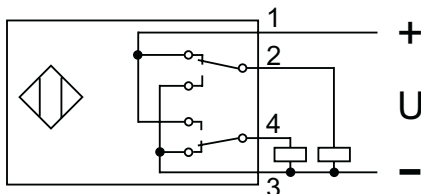
Minimum distances of opposite sensors:

NJ 20: 90 mm; NJ 25: 120 mm

Sensor cable:

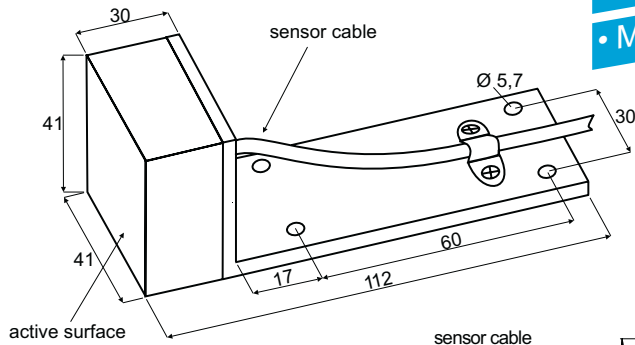
The cable is delivered with external steel mesh protection. Since the inside material is teflon, no sharp bending or permanent pressing may be applied!

Connections:

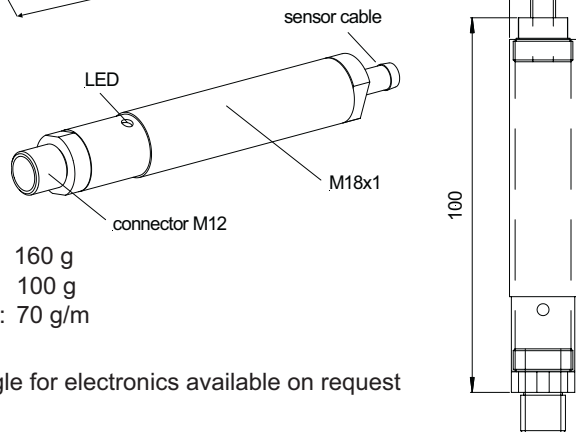


Pin assignment: 1: +24 V
3: 0V
4: Switching output NO
2: Switching output NC
5: PE

Sensor head:



Electronic:



Weight:

Sensor: 160 g
Electronic: 100 g
Sensor cable: 70 g/m

Mounting angle for electronics available on request

- Measuring
- Controlling
- Monitoring

Technical Data:

Hardware class	Group II, class 3
Ambient temperature:	
< 75°C	II 3 G EEx n IIC T6
< 90°C	II 3 G EEx n IIC T5
< 125°C	II 3 G EEx n IIC T4
< 190°C	II 3 G EEx n IIC T3
< 250°C	II 3 G EEx n IIC T2
Ex-protection standards	EN 60079-0:2004, ignition protection class "n" according to EN 60079-15:2003
Switching distance *	NJ 20 = 20 - 22,5 mm NJ 25 = 24,5 - 26 mm
Work piece (St37)	NJ 20: min. 40x32 mm NJ 25: min. 60x60 mm
Supply voltage	24 V / 15 ... 50mA + Ia Ripple max. 0,5 Vss
Switching frequency	0 ... 60 Hz
Switching outputs	4: 24 V (NO) short-circuit proof 2: 24 V (NC)
Output current	Ia / 20°C = 100 mA Ia / 70°C = 50 mA
LED	red, illuminated if initiated
Temperature range	Sensor: -15°C ... 230°C, (short-time up to 250°C) Electronic: 0°C ... 70°C
Protection class	Sensor: IP60, Electronic: IP64
Connector	M12, 5 pin
Cable length	7, 10 or 20 m (20 m only at switching distance 20 mm)
Option	Mounting angle for electronic module

* used sensor surface is 70%